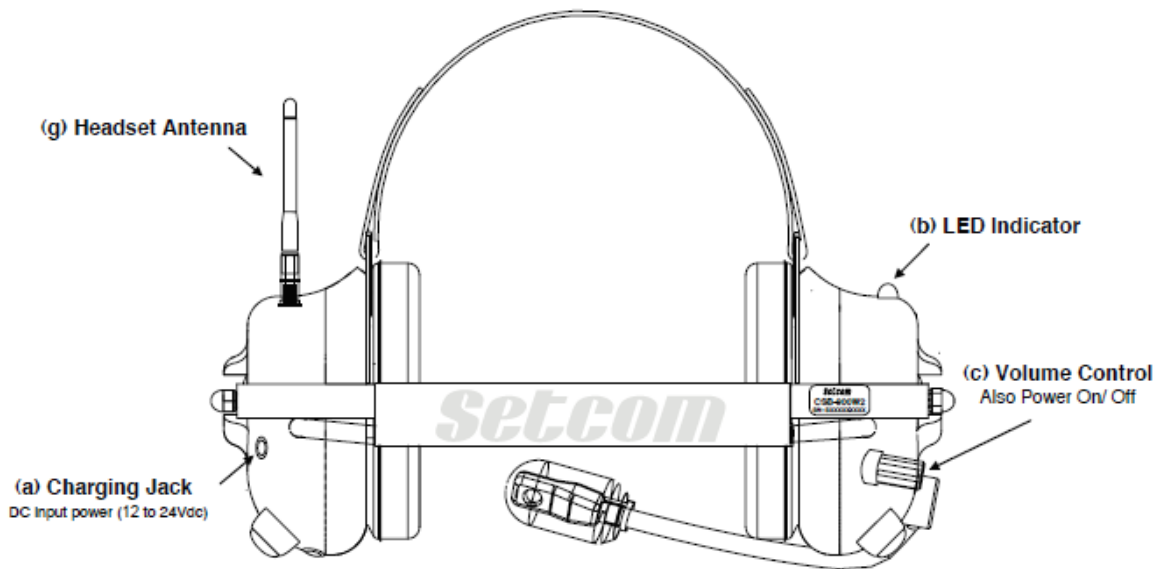


Setcom – Operating Instructions

Turn On/Off

- Locate the Volume Control (Fig. 1 [c]) on the headset's right cup: this is also the headset's on-off switch.
- Turn the knob clockwise to turn on the headset.
- Immediately after being turned on, the headset will beep one-to-three times, indicating its battery charge level:
 - One beep: Low battery/ charging required
 - Two beeps: Moderate charge remaining
 - Three beeps: Fully charged
- The headsets will link very quickly. Within about five seconds, the headset will beep three times, low-to high, indicating that it is linked.
- To turn off the headset, turn the Volume Control counter-clockwise until it clicks.

Figure 1



LED Indications (Fig. 1 [c])

- Steady green: Power is on and the headset is idle (not linked).
- Slow flashing green: Power is on, and the headset is paired.
- Steady amber: The headset is charging and turned off. The LED turns off when the headset is fully charged.